



**THE BEST SUPPORT  
FOR YOUR AV & IT HARDWARE**  
T: + 31(0)23-5478888 | E: info@newstar.eu | W: www.newstar.eu

## PLASMA-W240

## NEWSTAR FLAT SCREEN WALL MOUNT

Newstar TV/Monitor Wall Mount (tiltable) for  
23"-60" Screen - Black



### SPECIFICATIONS

<b>Color</b>	Black
<b>Distance to wall</b>	5,9 cm
<b>Height adjustment</b>	None
<b>Max. screen size</b>	60
<b>Max. weight</b>	50
<b>Min. screen size</b>	23
<b>Min. weight</b>	0
<b>Screens</b>	1
<b>Tilt (degrees)</b>	25°
<b>Type</b>	Tilt
<b>VESA maximum</b>	400x400 mm
<b>VESA minimum</b>	75x75 mm
<b>Warranty</b>	5 year
<b>EAN code</b>	8717371444105

The NewStar wall mount, model PLASMA-W240 is a tiltable wall mount for flat screens up to 60" (152 cm). This mount is a great choice when you want the ultimate viewing flexibility with your flat screen. Depth of this mount is 5,9 centimetres.

NewStars' tilt (25°) technology allows the mount to change to any viewing angle to fully benefit from the capabilities of the flat screen. Depth of this mount is 5,9 centimetres.

NewStar PLASMA-W240 is suitable for screens up to 60" (152 cm). The weight capacity of this product is 50 kg each screen. The wall mount is suitable for screens that meet VESA hole pattern 75x75 to 400x400mm. Different hole patterns can be covered using NewStar VESA adapter plates.

Protect your flat screen and bracket from theft! This wall mount includes a solid padlock to prevent theft and vandalism. Secure the screen by placement of the security bar between wall plate and TV mounting brackets. Lock the security bar using the padlock. The lock is easy to use and comes with multiple keys.

Create a clean design ambiance for your flat screen TV in the living room, bedroom or home cinema.

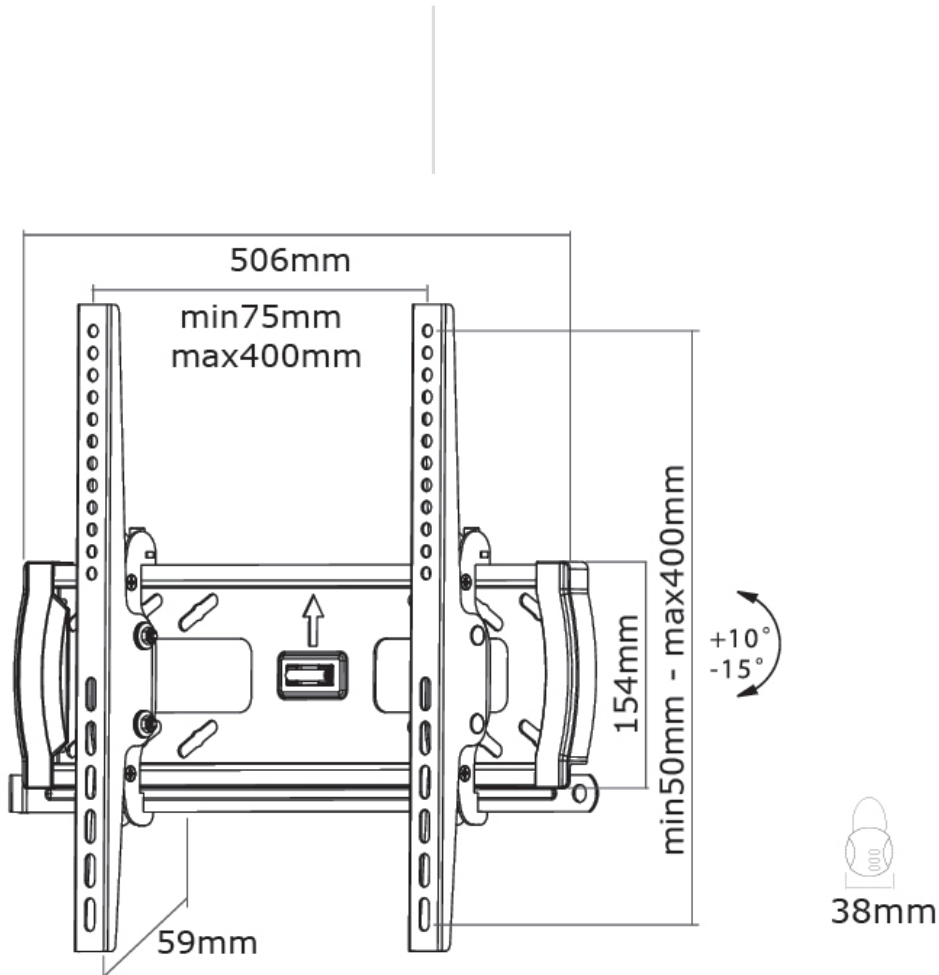
All installation material is included with the product.



**THE BEST SUPPORT  
FOR YOUR AV & IT HARDWARE**  
T: + 31(0)23-5478888 | E: info@newstar.eu | W: www.newstar.eu

## PLASMA-W240

## NEWSTAR FLAT SCREEN WALL MOUNT



NewStar Products Europe B.V.  
Wateringweg 62/B  
2031 EJ HAARLEM  
THE NETHERLANDS

Phone : +31(0)23-5478888  
Fax : +31(0)23-5478889  
Email : info@newstar.nl  
Website : www.newstar.eu

NewStar cannot be held liable for any inaccuracies and copyrights.  
No part of this publication may be reproduced and/or published by print, photocopy, microfilm or in any other way, without prior written permission of NewStar Computer Products Europe BV.