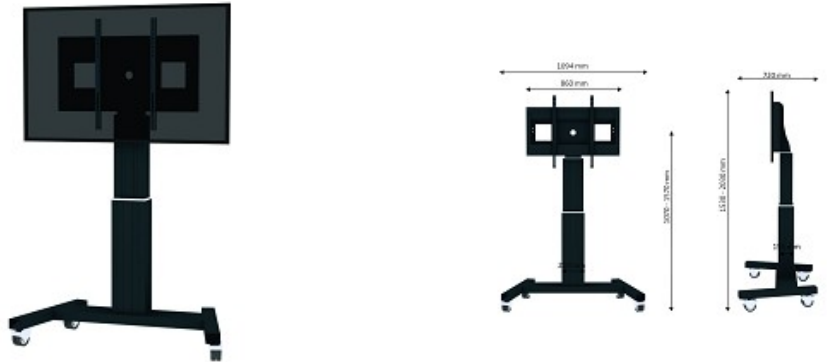


PLASMA-M2500BLACK NEWSTAR FLAT SCREEN FLOOR STAND

The PLASMA-M2500BLACK is a mobile floor stand with electric height adjustment for flat screens from 42" up to 100".



With the NewStar PLASMA-M2500BLACK automatic height adjustable floor stand you place a large format flat screen on the floor. Get optimal positioning for both standing and seated audiences, in any application, in any part of your location. Perfect to use in a class room, boardroom, presentation room or public entrance.

The PLASMA-M2500BLACK is suited for screens between 42" - 100" and has a load capacity of 150 kg. The trolley is suitable for screens with a VESA hole pattern of 200x200, 200x400, 400x400, 400x600 to 600x800 mm. Behind the screen is a 6 cm deep space available to mount a media player or mini-computer. Cables can be guided at the back of the mount.

Easily roll this cart over doorways and thresholds with to the high quality wheels. The mobile electric floor lift is automatically height adjustable over a height of 50 cm with a remote control. From the floor to the center the distance of the screen is variable from 101 cm to 157 cm.

The NewStar PLASMA-M2500BLACK comes in a black RAL 9005 color and is a great choice for space saving placement or when wall-, ceiling mounting or desk placement is not an option.

SPECIFICATIONS

| | |
|--------------|---------------|
| Screens | 1 |
| Screen size | 42 - 100" |
| Max. weight | 150 |
| VESA minimum | 200x200 mm |
| VESA maximum | 800x600 mm |
| Height | 101 - 157 cm |
| Color | Black |
| Warranty | 5 year |
| EAN code | 8717371445904 |